

## Model

# 400 Series

## TELESCOPIC BOOM LIFTS

### Features

**Articulating Jib**  
(460SJ only) 6 ft (1.83 m)

**Platform**  
Side Entry 36 x 96 in. (0.91 x 2.44 m)

**Inward Self-Closing Swinging Gate**

**180 Degree Hydraulic Platform Rotator**

**Platform Console Machine Status Light Panel\***

**110V-AC Receptacle in the Platform**

**5 Degree Tilt Alarm/Indicator Light**

**12 x 16.5 Rim Protector Lug Tread Tires**

**Swing Out Engine Tray**

**12V-DC Auxiliary Power**

**Hourmeter**

**Proportional Controls**

**Control ADE® System**

**Lifting/Tie Down Lugs**

**Horn**

**Oscillating Axle**

**Operator Tool Tray**

**Motion Alarm**

\* Provides indicator lights at platform control console for system distress, low fuel, 5 degree tilt light, and foot switch status

### Accessories & Options

**750 lb (340 kg) Unrestricted Capacity**  
with 1,000 lb (450 kg) Restricted  
Capacity (400S Only)

**36 x 72 in. (0.91 x 1.83 m) Platform**

**1/2 in. Air Line to Platform**

**Soft Touch System**

**14 x 7.5 Lug Tread Tires**

**Foam-Filled Tires**

**High Flotation Sand/Turf Tires (4WD Only)**

**2500W Generator**

**Tow Package (2WD Only)**

**Flashing Amber Beacon**

**43.5 lb (19.73 kg) Propane Tank**

**Cold Weather Kit**

**Hostile Environment Kit**

**Arctic Package**

**Semi-Trak**

**Light Package**

**Platform Worklights**

#### Accessories

SkyPower® Package

SkyWelder® Package

SkyCutter® Package

SkyGlazier® Package (400S only)

Nite Bright® Package

SkyAir® Package (requires SkyPower)

SkyCutter and SkyAir Package

SkyWelder/SkyCutter/SkyAir Combination  
(requires SkyPower)

PipeRack

*Note: Some options may increase lead time, and some option combinations may not be available.*



#### Increased Productivity

- The fastest lift and drive speeds in their class
- Reaches up to 3.5 ft (1.07 m) further than competitive models
- Improved rough terrain capabilities with 45% gradeability

#### Enhanced Control

- Exclusive Control ADE® (Advanced Design Electronics) system for better performance with improved serviceability
- Control ADE system allows function speeds and options to be customized to meet customer preferences
- Provides better fuel efficiency, and reduced emissions

#### Improved Maintainability

- Enhanced electrical system minimizes the number of wires and connections
- The Control ADE system reduces troubleshooting time and identifies potential problems
- Swing-out engine tray provides ease of access

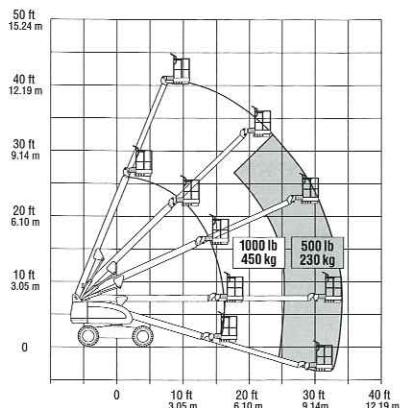
**JLG**

# Model 400 Series II

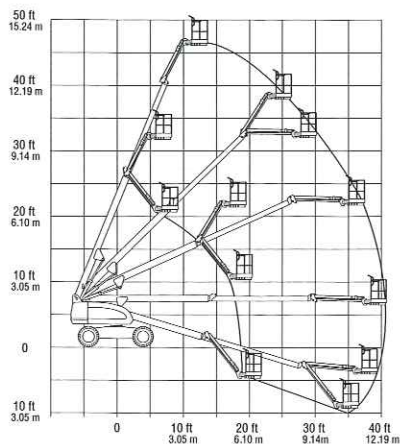
## TELESCOPIC BOOM LIFTS

### Specifications

**400S**



**460SJ**



#### Reach

Platform Height	
400S	40 ft 4 in. (12.3 m)
460SJ	46 ft (14.02 m)
Horizontal Outreach	
400S	34 ft 1 in. (10.4 m)
460SJ	40 ft 6 in. (12.34 m)
Swing	360 Degrees Continuous
Platform Capacity	
Restricted (400S)	1,000 lb (450 kg)
Unrestricted	500 lb (227 kg)
Optional	750 lb (340 kg)
Platform Rotator	180 Degrees Hydraulic
Jib (Range of Articulation)	
460SJ	6 ft (1.83 m), 130 Degrees (+70, -60)
Lift/Lower Speed	29/22 seconds

#### Dimensions

A. Platform Size	36 x 96 in. (0.91 x 2.44 m)
B. Overall Width	7 ft 6.5 in. (2.30 m)
C. Tailswing	2 ft 10 in. (86 cm)
D. Stowed Height	7 ft 10 in. (2.39 m)
E. Stowed Length	
400S	24 ft 9 in. (7.54 m)
460SJ	29 ft (8.84 m)
F. Wheelbase	7 ft 8 in. (2.34 m)
G. Ground Clearance	
Standard Tires	12.5 in. (32 cm)
14 x 17.5 Tires	13.5 in. (34 cm)
Weight*	
400S	12,525 lb (5,681 kg)
460SJ	15,855 lb (7,192 kg)
Max. Ground Bearing Pressure	58 psi (4.06 kg/cm <sup>2</sup> )

#### Chassis

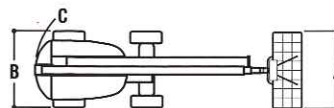
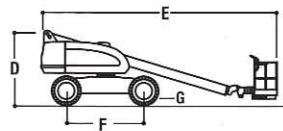
Drive Speed 2WD/4WD	4.5 mph (7.2 kph)
Gradeability	
2WD	30%
4WD	45%
Turning Radius	
Outside	16 ft 5 in. (5.0 m)
Inside	6 ft 7 in. (2.0 m)
Tire Size/Type	
Standard	12 x 16.5 Pneumatic
Optional	14 x 17.5 Pneumatic

#### Power Source

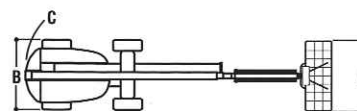
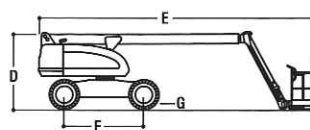
Dual Fuel Engine	
GM Vortec 3000 MPFI	82 hp (61 kW)
Diesel Engine	
Deutz F3M1011	48 hp (35.8 kW)
Diesel Engine	
Caterpillar C2.2	50 hp (37.2 kW)
Fuel Tank Capacity	26 gal. (98.5 L)
Hydraulic Reservoir	42 gal. (159 L)
Auxiliary Power	12V DC

\* Certain options or country standards will increase weight.

**400S**



**460SJ**



#### The JLG "1 & 5" Warranty

JLG Industries, Inc. backs our 400 Series boom lifts with our exclusive "1 & 5" Warranty. We provide coverage for one (1) full year, and cover all specified major structural components for five (5) years. These machines meet or exceed applicable OSHA Regulations in 29 CFR 1910.67, 29 CFR 1926.453, ANSI A92.5-2000 and CSA standard B354.4-02 as originally manufactured for intended applications. We reserve the right to make price, specification, and/or equipment changes without prior notification.



**JLG Industries, Inc.**  
An Oshkosh Truck Corporation Company  
1 JLG Drive  
McConnellsburg, PA 17233-9533  
Telephone 717-485-5161  
Toll-free in US 877-JLG-LIFT  
Fax 717-485-6417  
[www.jlg.com](http://www.jlg.com)

Form No.: SS-400S-0107-10M  
Part No.: 3131026  
R010703  
Printed in USA